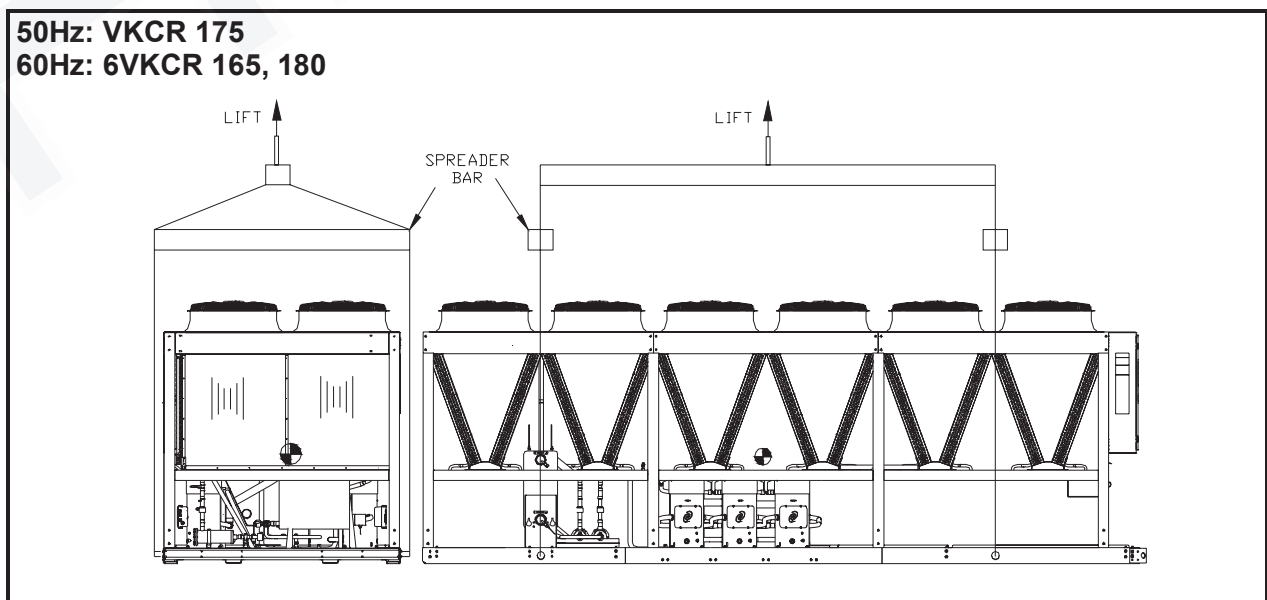
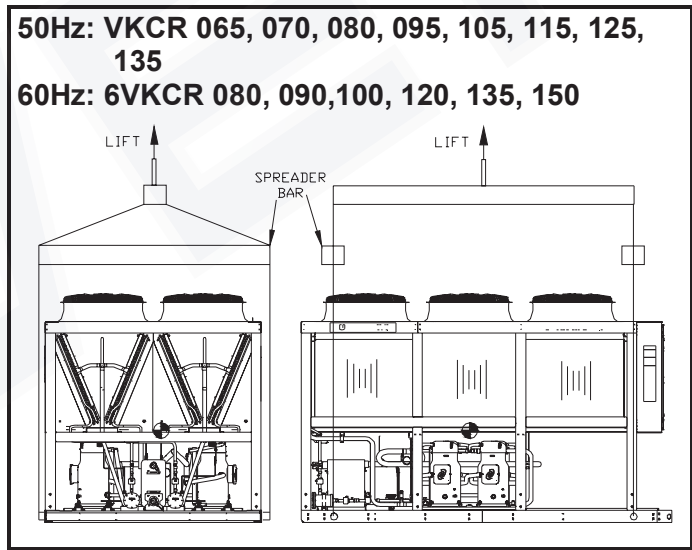
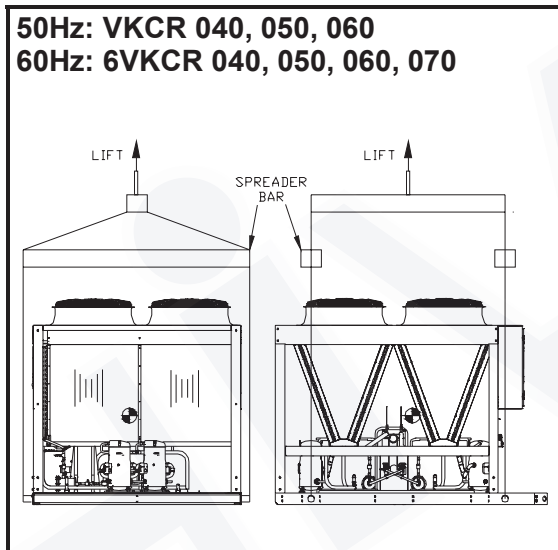
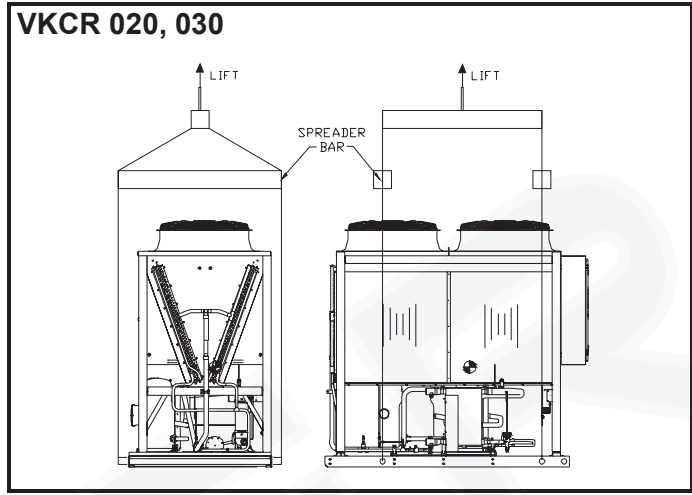
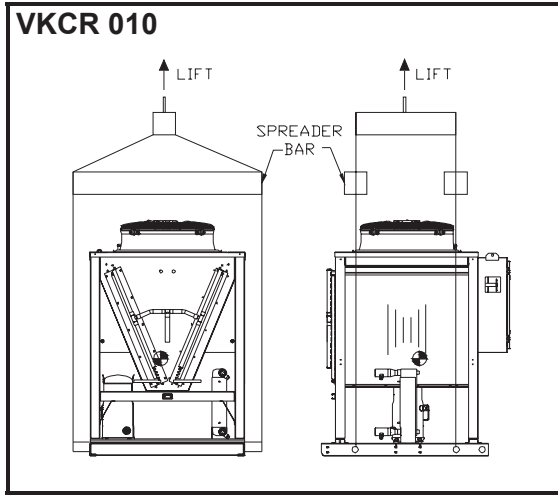


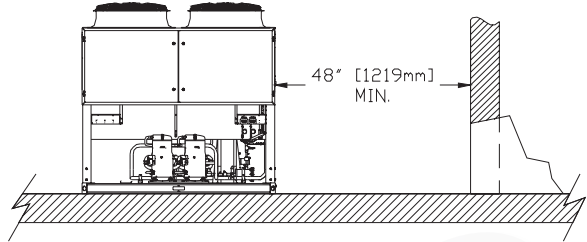
**FIGURE 2.3.2 VKCR RIGGING**



**FIGURE 2.4.2A VKCR SPACE REQUIREMENTS**

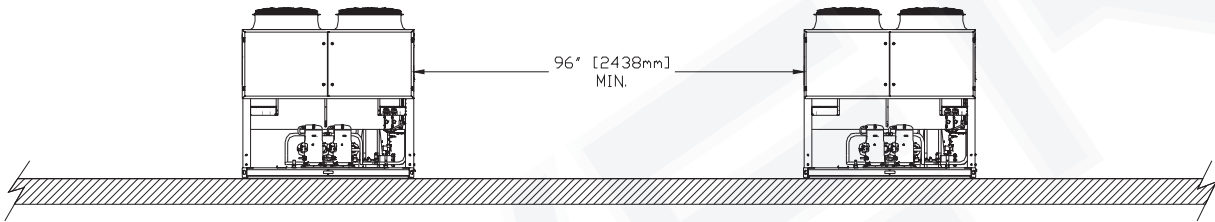
**Walls or Obstructions**

The unit should be located so that air may circulate freely and not be recirculated. For proper air flow and access all sides of the unit must be a minimum of four feet away from any wall or obstruction. It is preferred that this distance be increased whenever possible. Make sure that there is ample room for maintenance work through access doors and panels. Overhead obstructions are not permitted. When the unit is in an area where it is enclosed by three walls the unit must be installed as indicated for units in a pit.



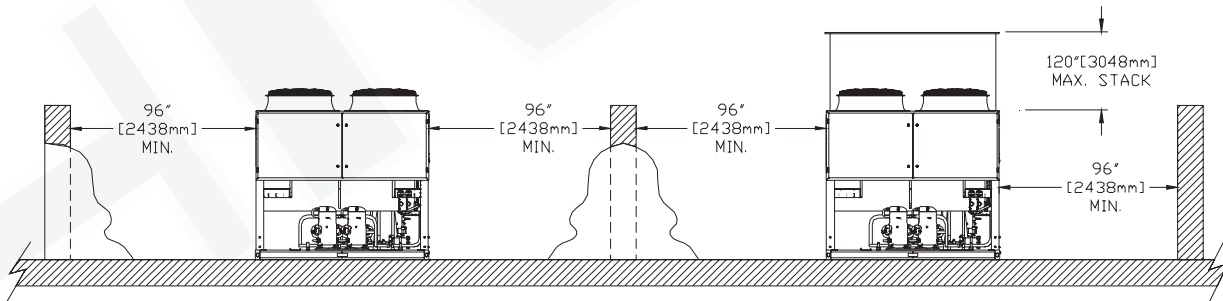
**Multiple Units**

For units placed side by side, the minimum distance between units is 8 feet [2438mm]. If units are placed end to end, the minimum distance between units is 4 feet [1219mm].



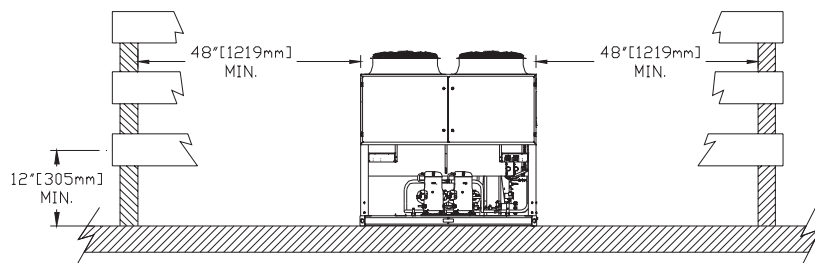
**Units in Pits**

The top of the unit should be level with the top of the pit, and side distance increased to 8 feet [2438mm]. If top of the unit is not level with the top of pit, discharge cones or stacks must be used to raise discharge air to the top of the pit. This is a minimum requirement. Stacks cannot be used on direct driven unit. Belt driven units must be reinforced internally to support the weight of stacks, and larger fan motors may be required. Contact your local ODYNE representative for details.

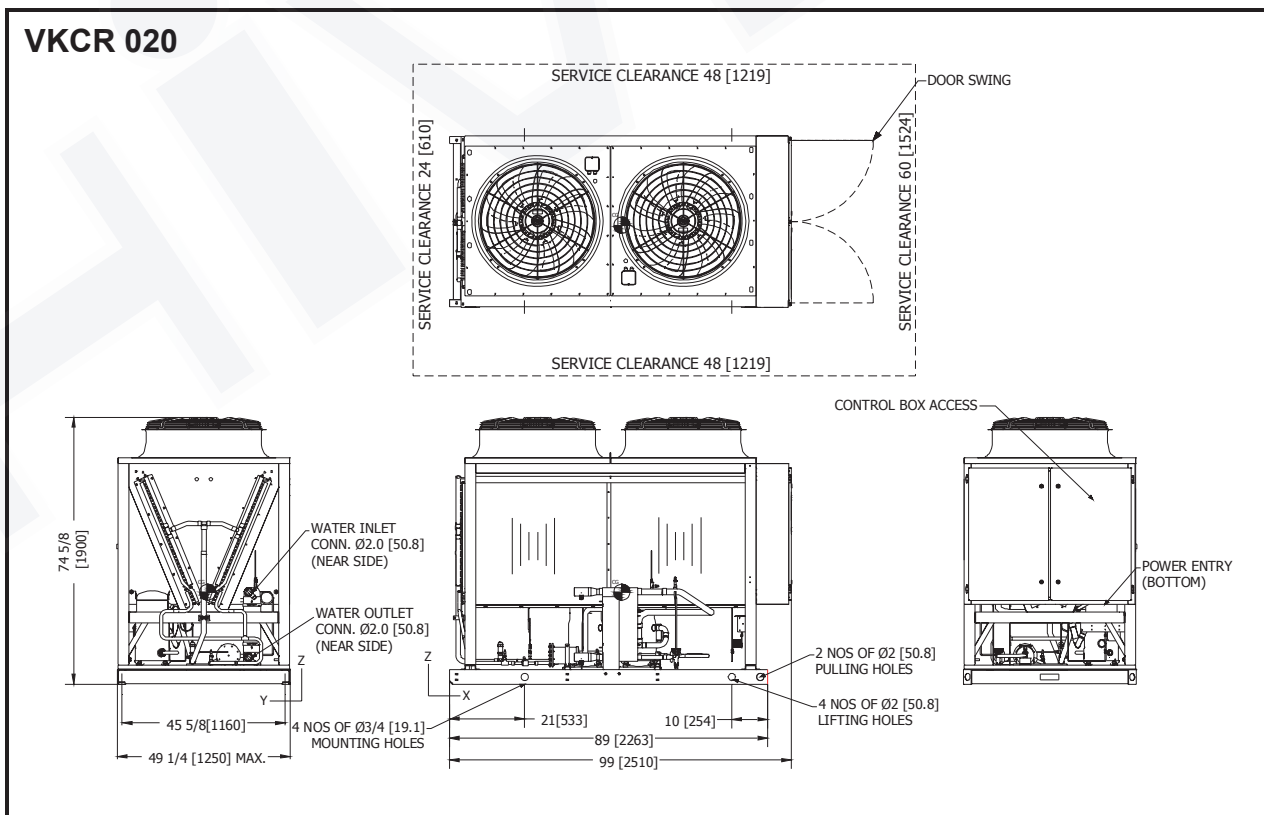
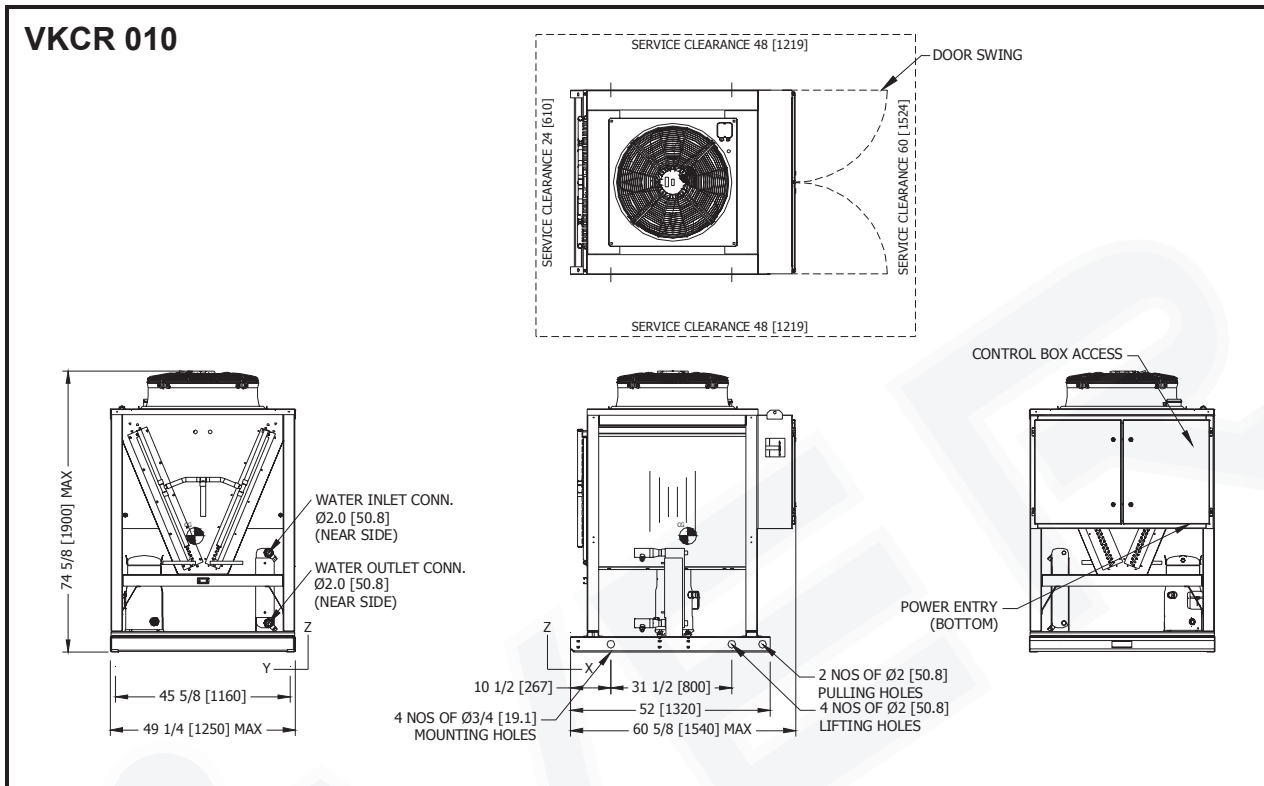


**Decorative Fences**

Fences must have 50% free area, with a 1 foot [305mm] undercut, a 4 foot [1219mm] minimum clearance, and it must not exceed the top of unit. If these requirements are not met, unit must be installed as indicated for "Units in a Pit".

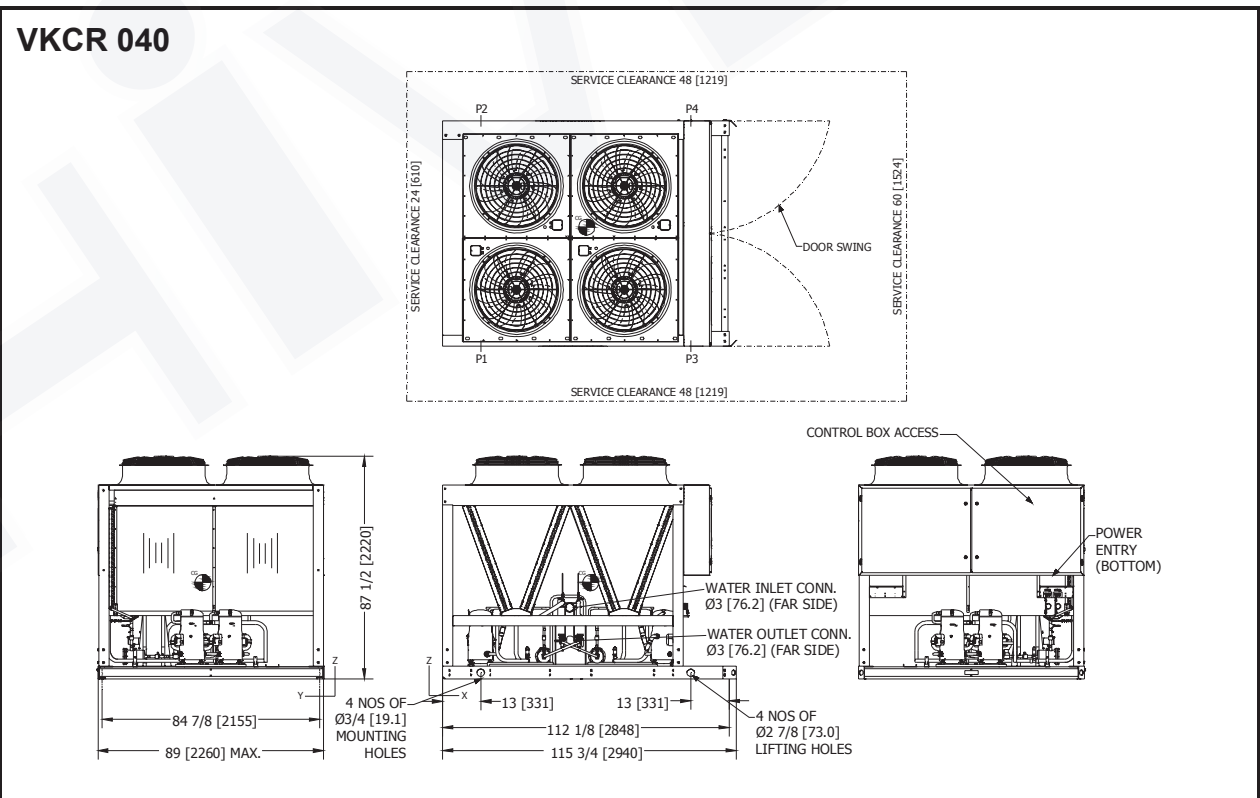
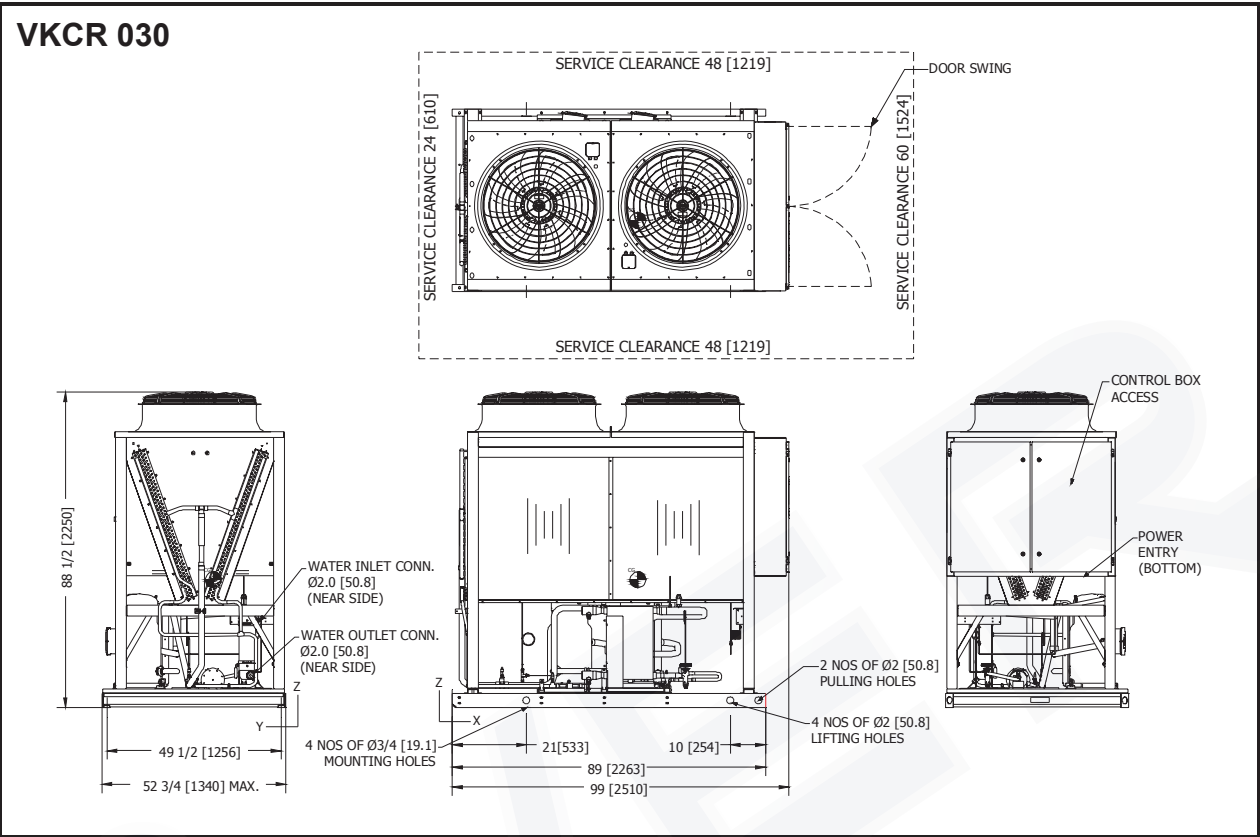


**FIGURE 2.4.2B DIMENSIONAL DATA**  
**50 Hz**



Note: All dimensions are in inches [mm].

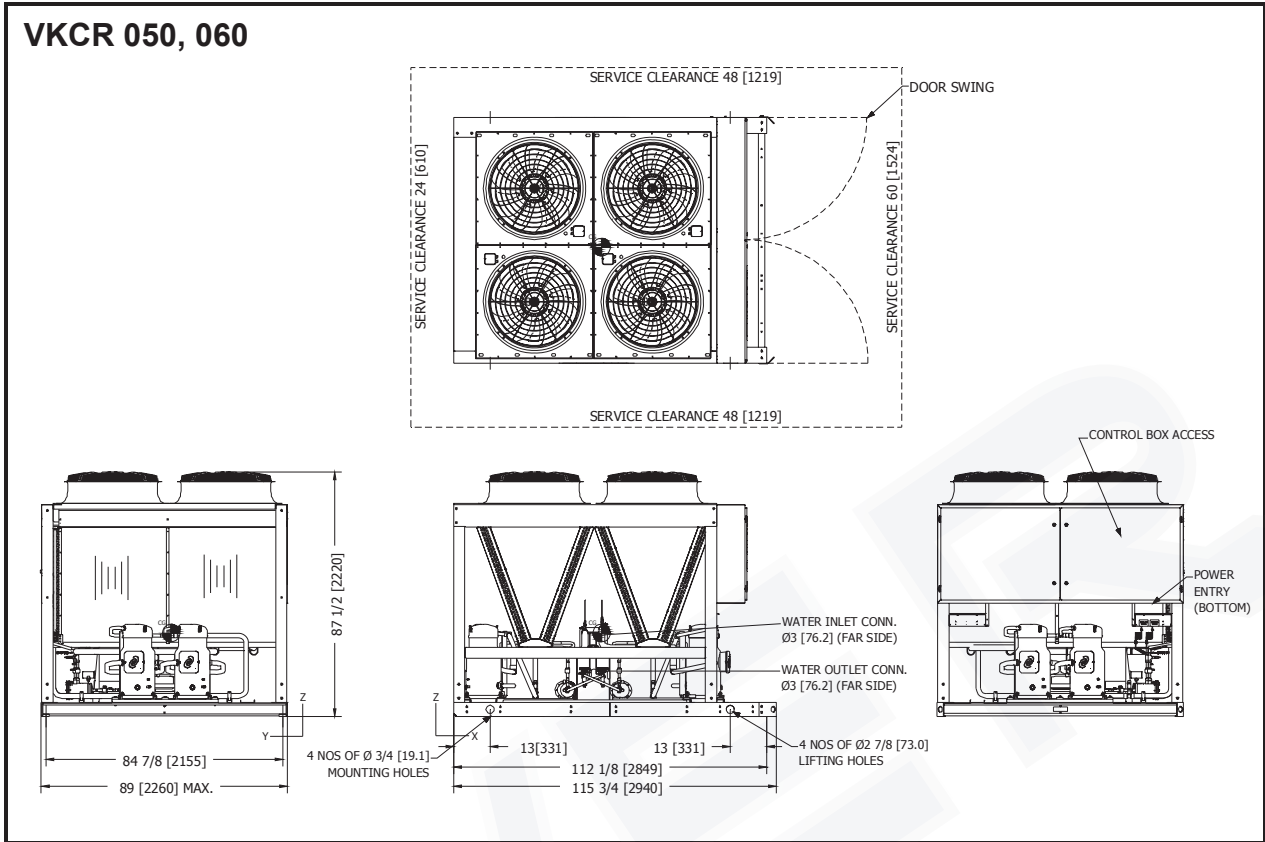
## 50 Hz



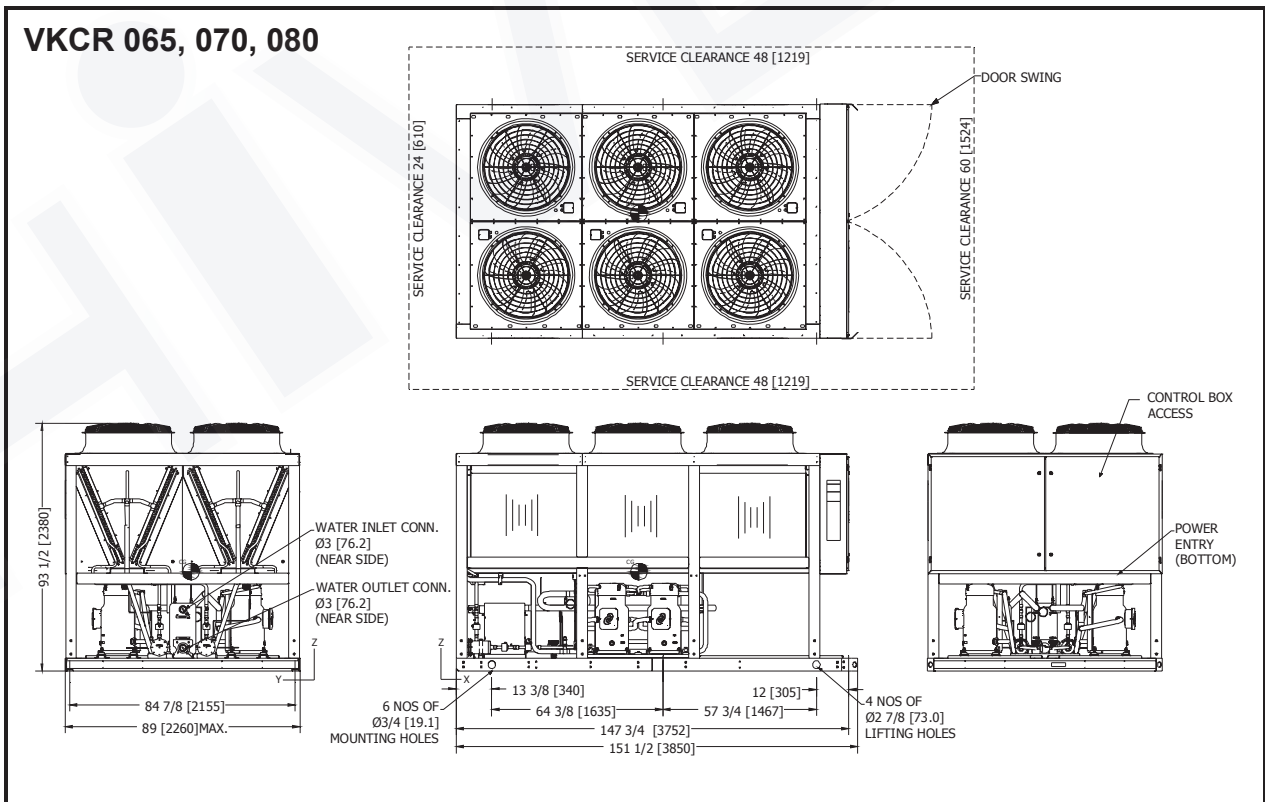
Note: All dimensions are in inches [mm].

## 50 Hz

### VKCR 050, 060

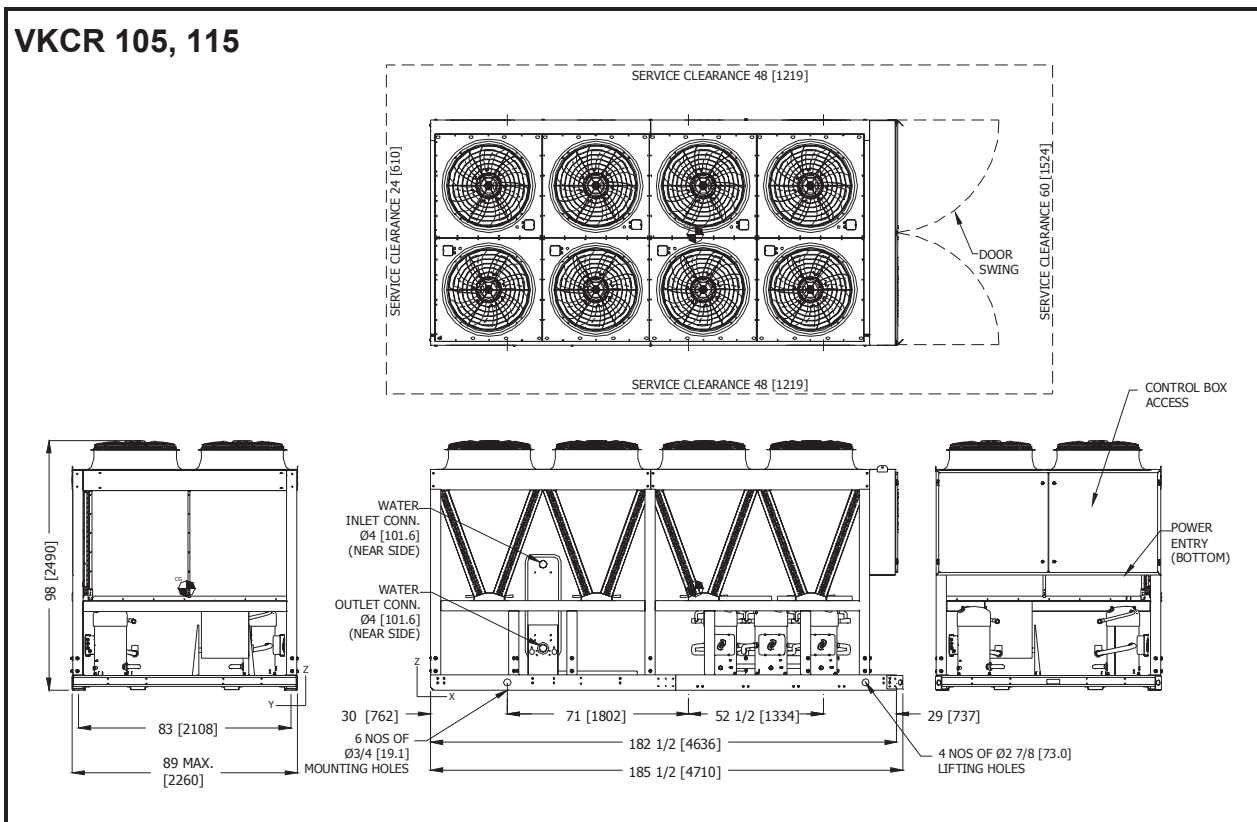
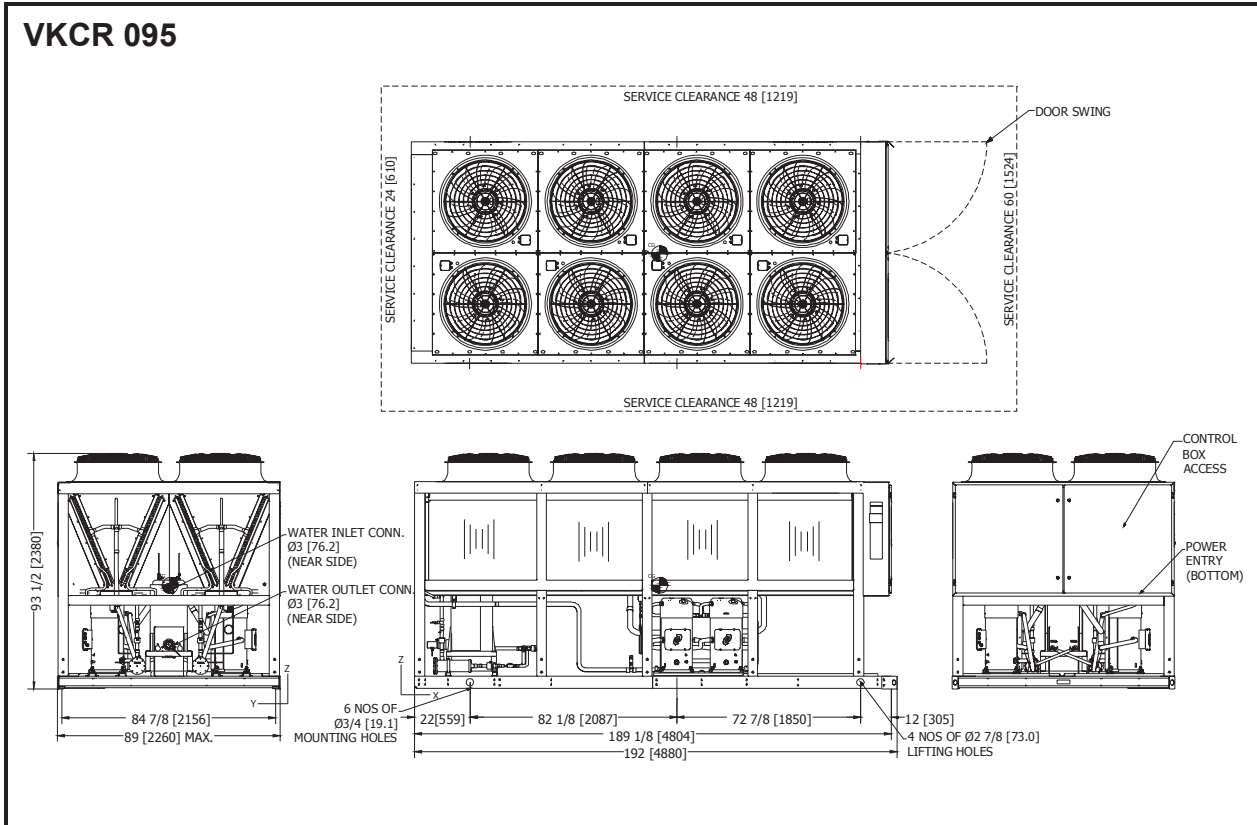


### VKCR 065, 070, 080



Note: All dimensions are in inches [mm].

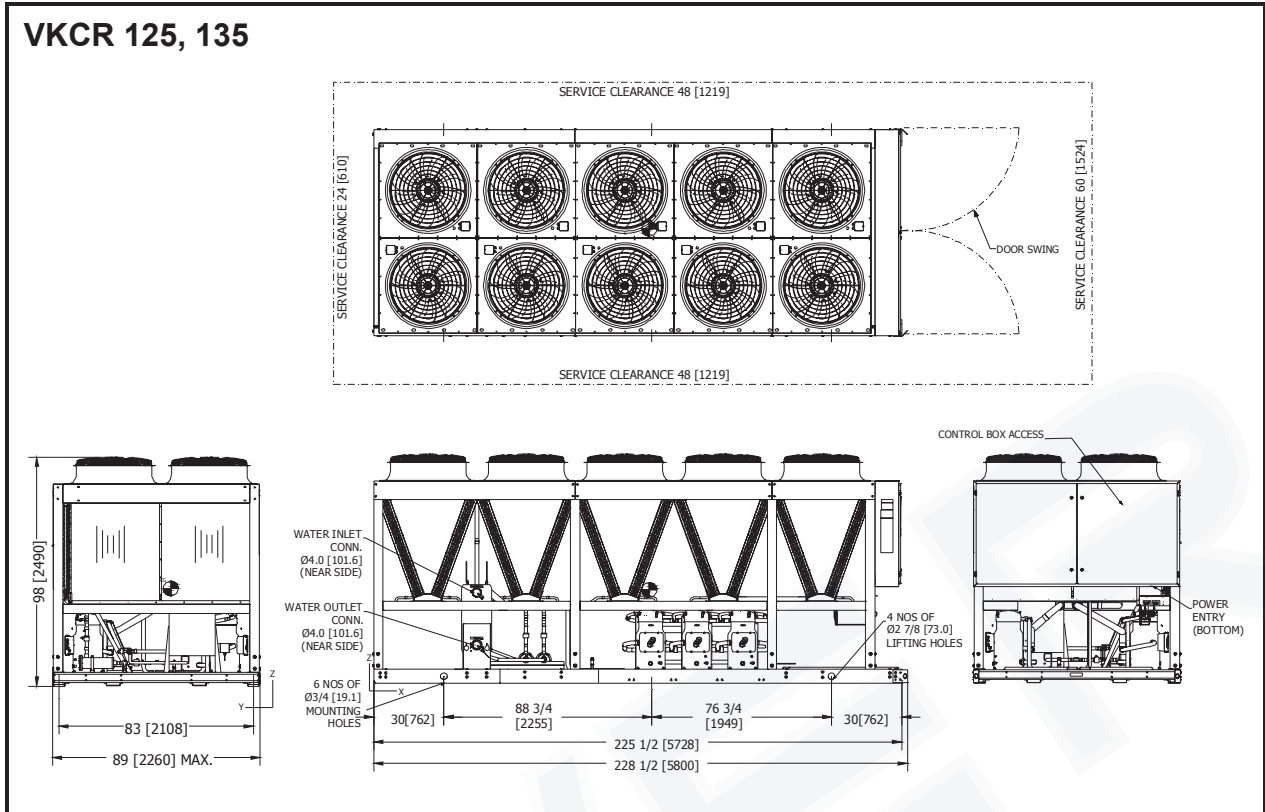
## 50 Hz



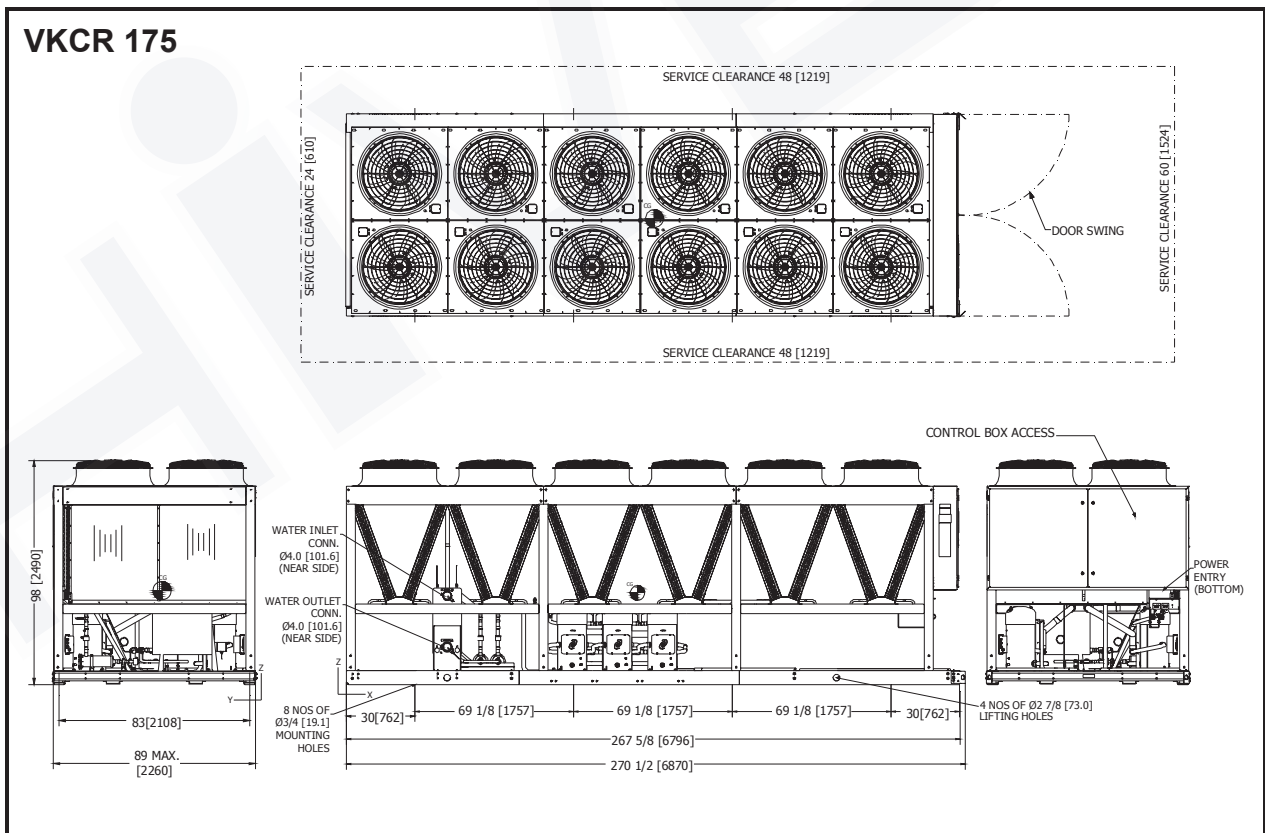
Note: All dimensions are in inches [mm].

## 50 Hz

### VKCR 125, 135



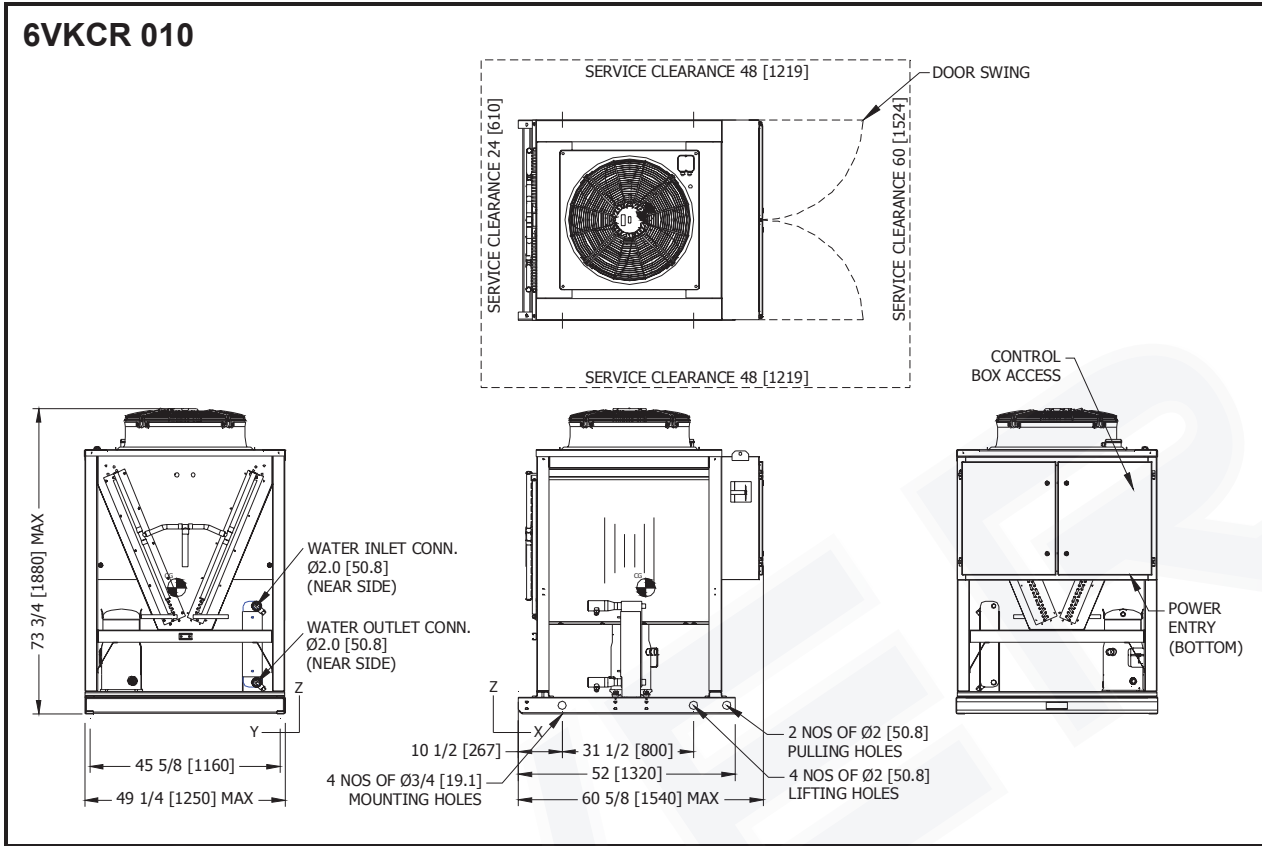
### VKCR 175



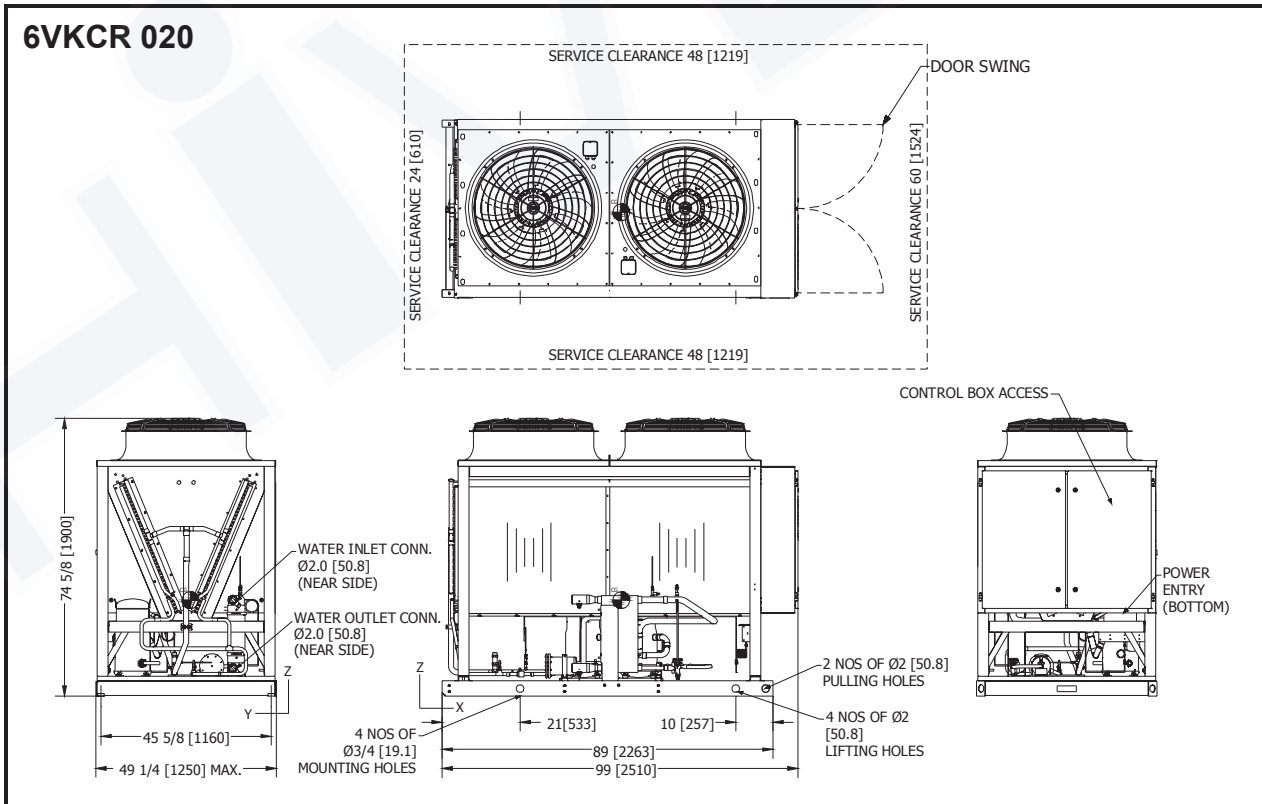
Note: All dimensions are in inches [mm].

## 60 Hz

### 6VKCR 010



### 6VKCR 020

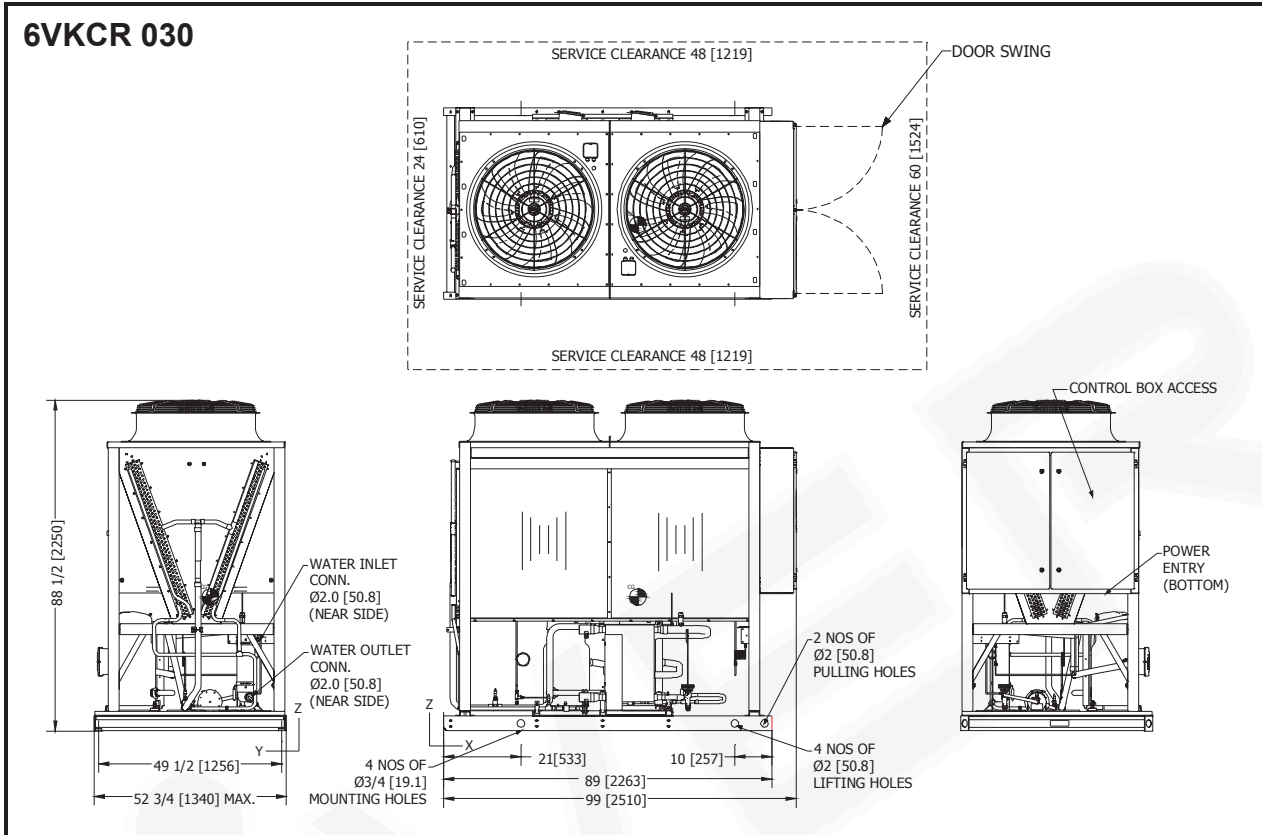


Note: All dimensions are in inches [mm].

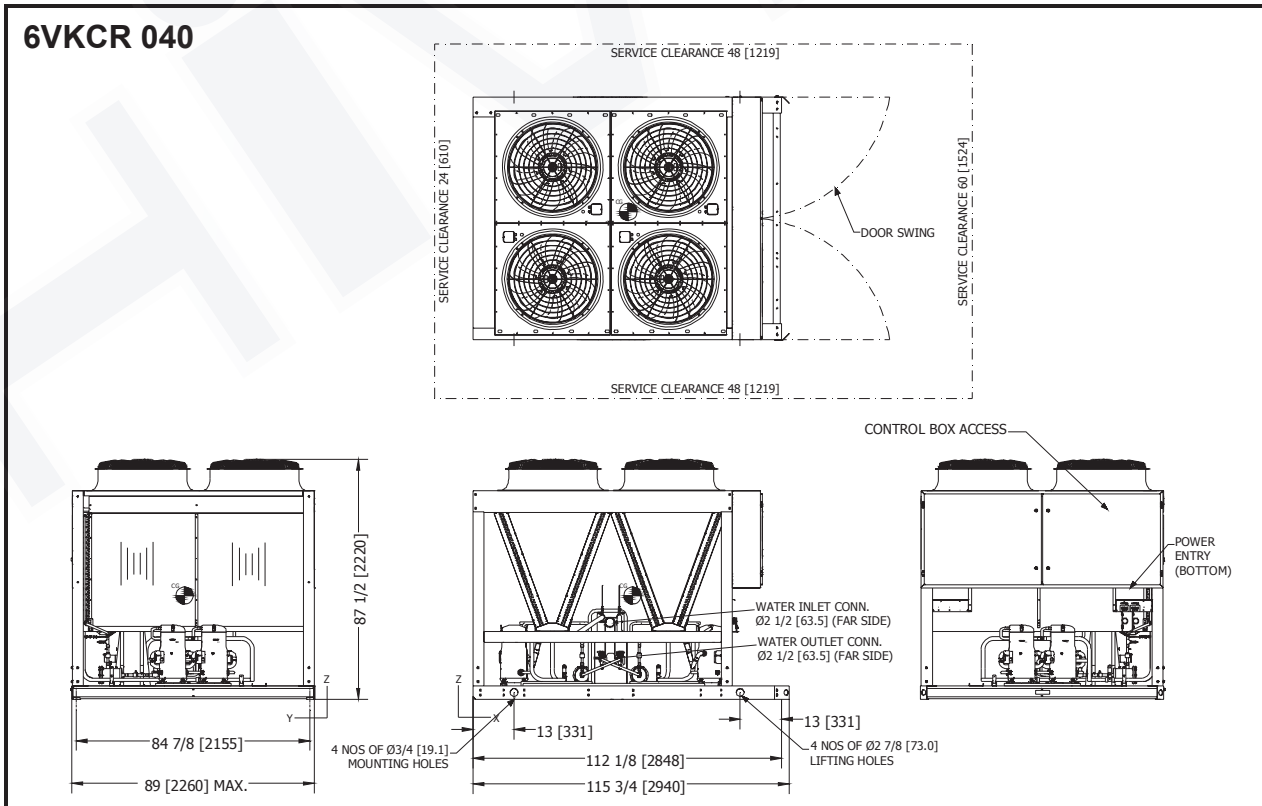


## 60 Hz

### 6VKCR 030



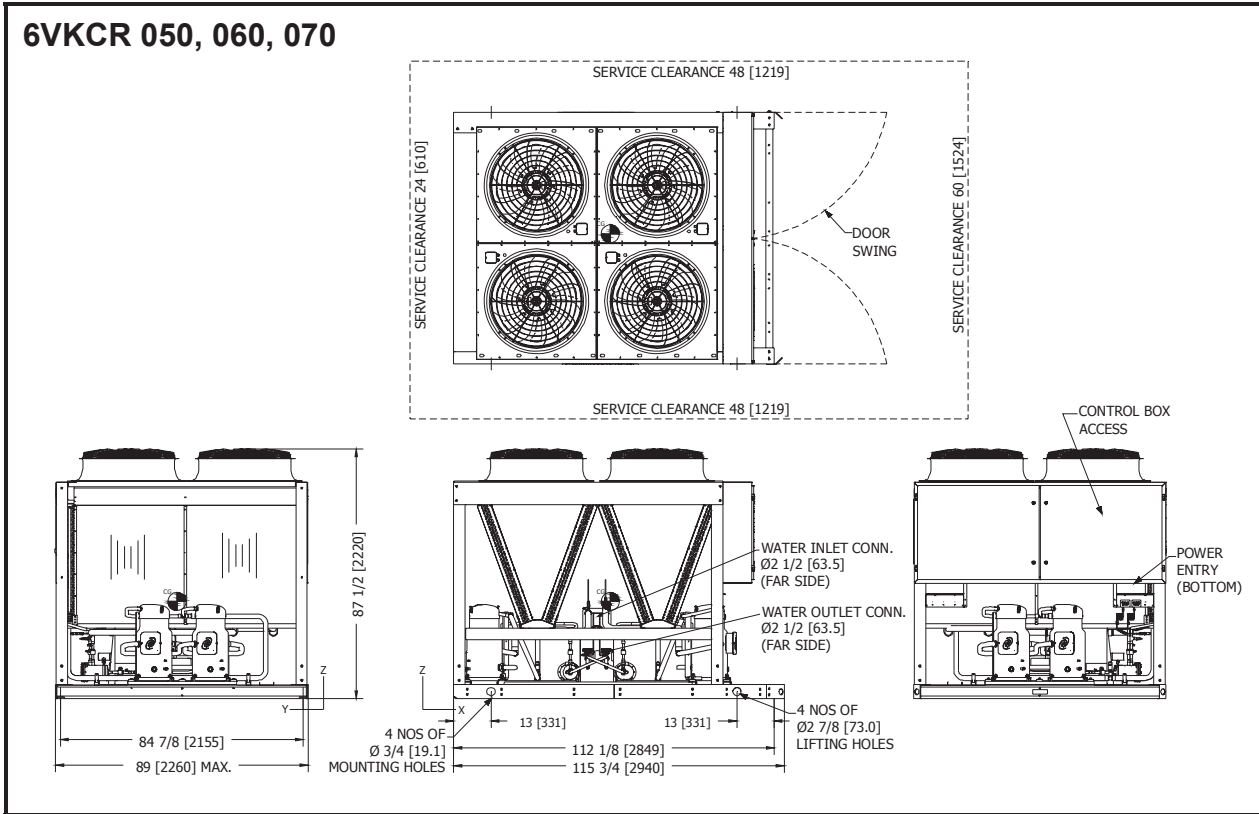
### 6VKCR 040



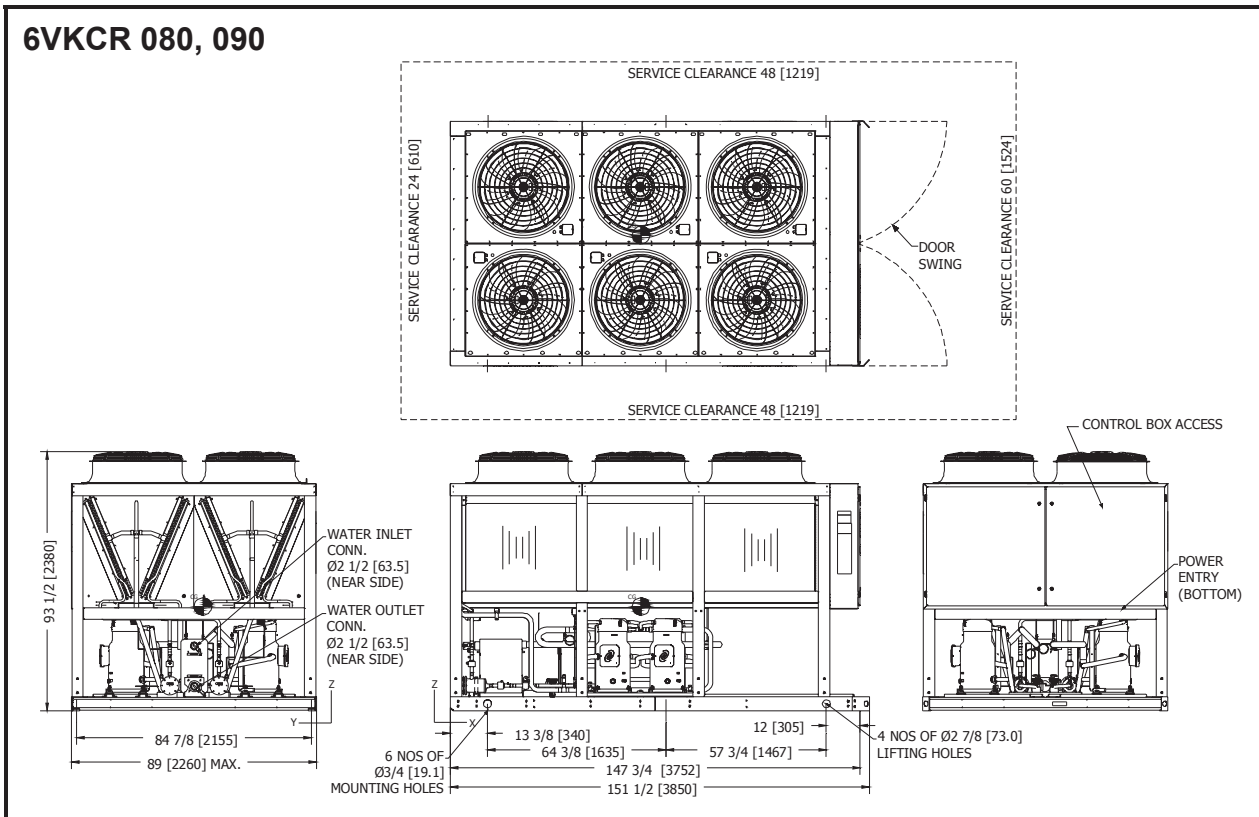
Note: All dimensions are in inches [mm].

## 60 Hz

### 6VKCR 050, 060, 070



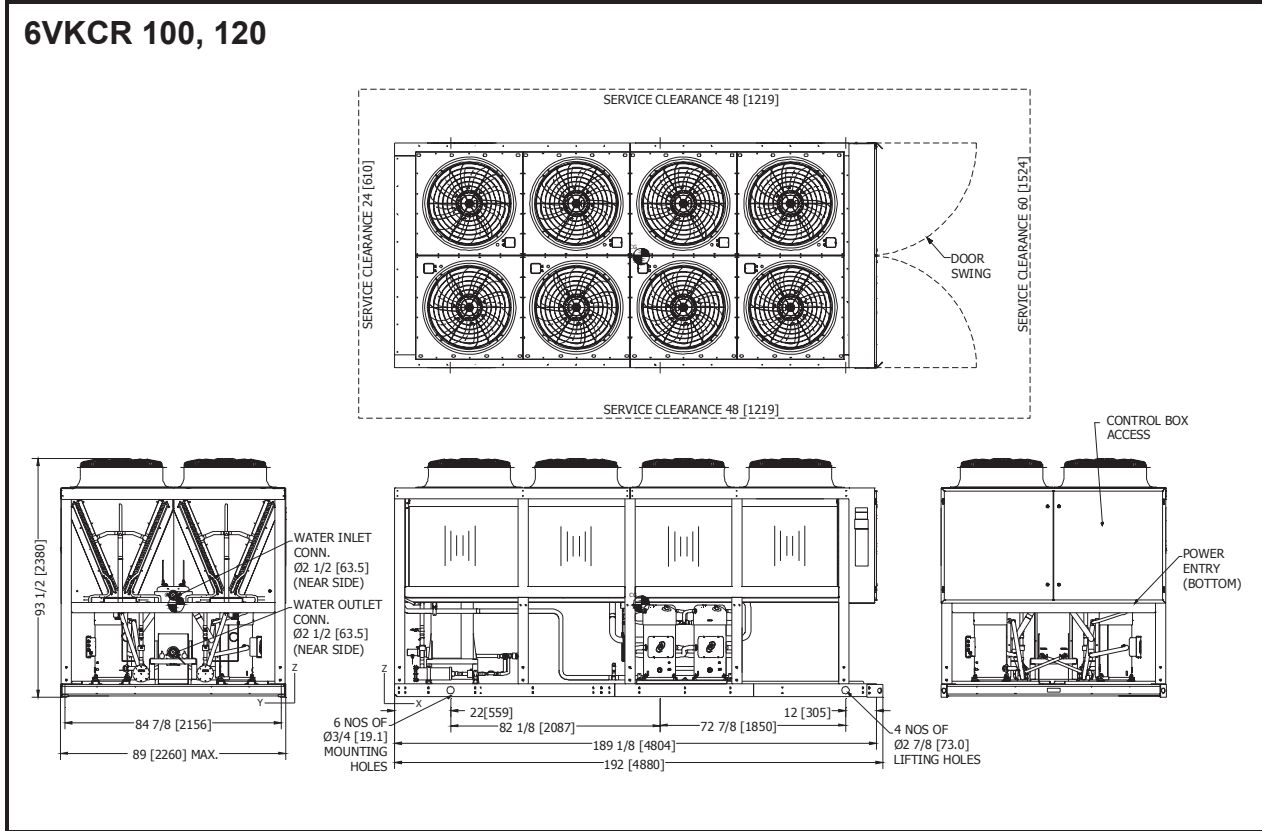
### 6VKCR 080, 090



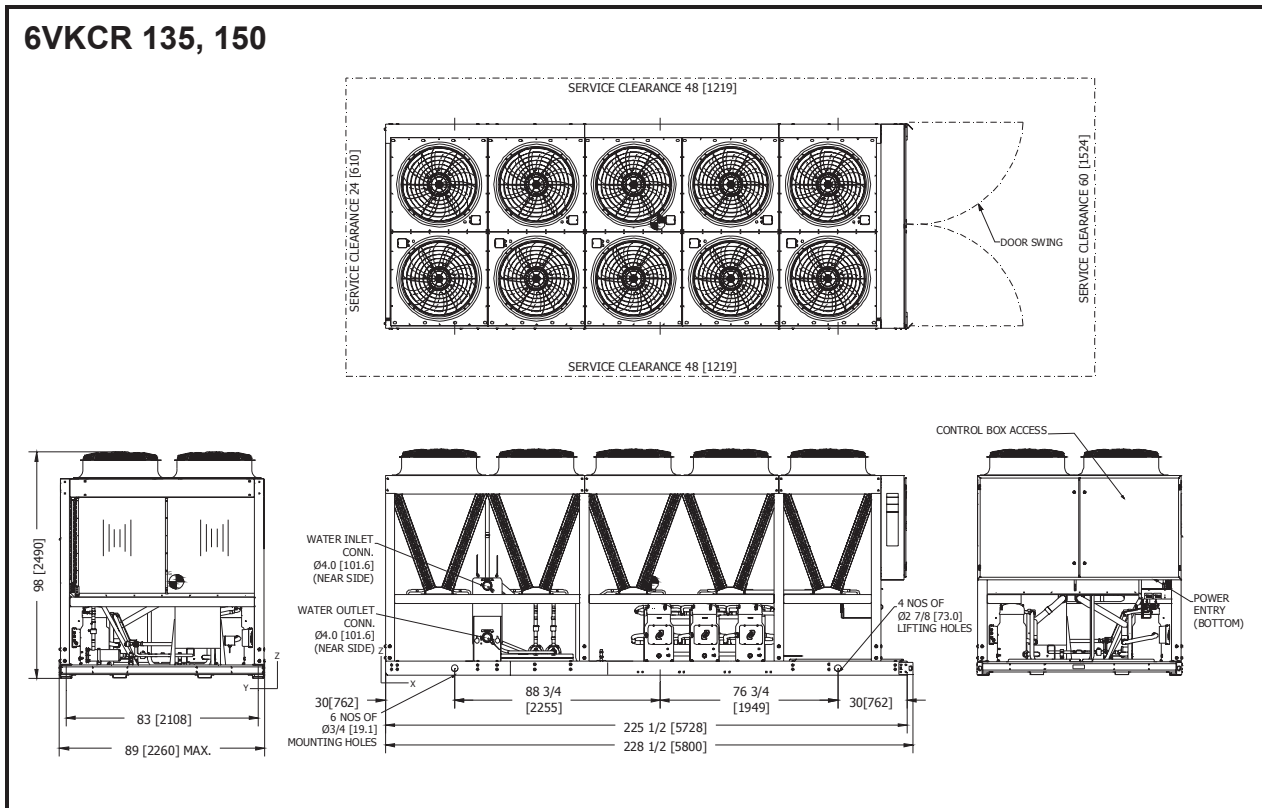
Note: All dimensions are in inches [mm].

## 60 Hz

### 6VKCR 100, 120



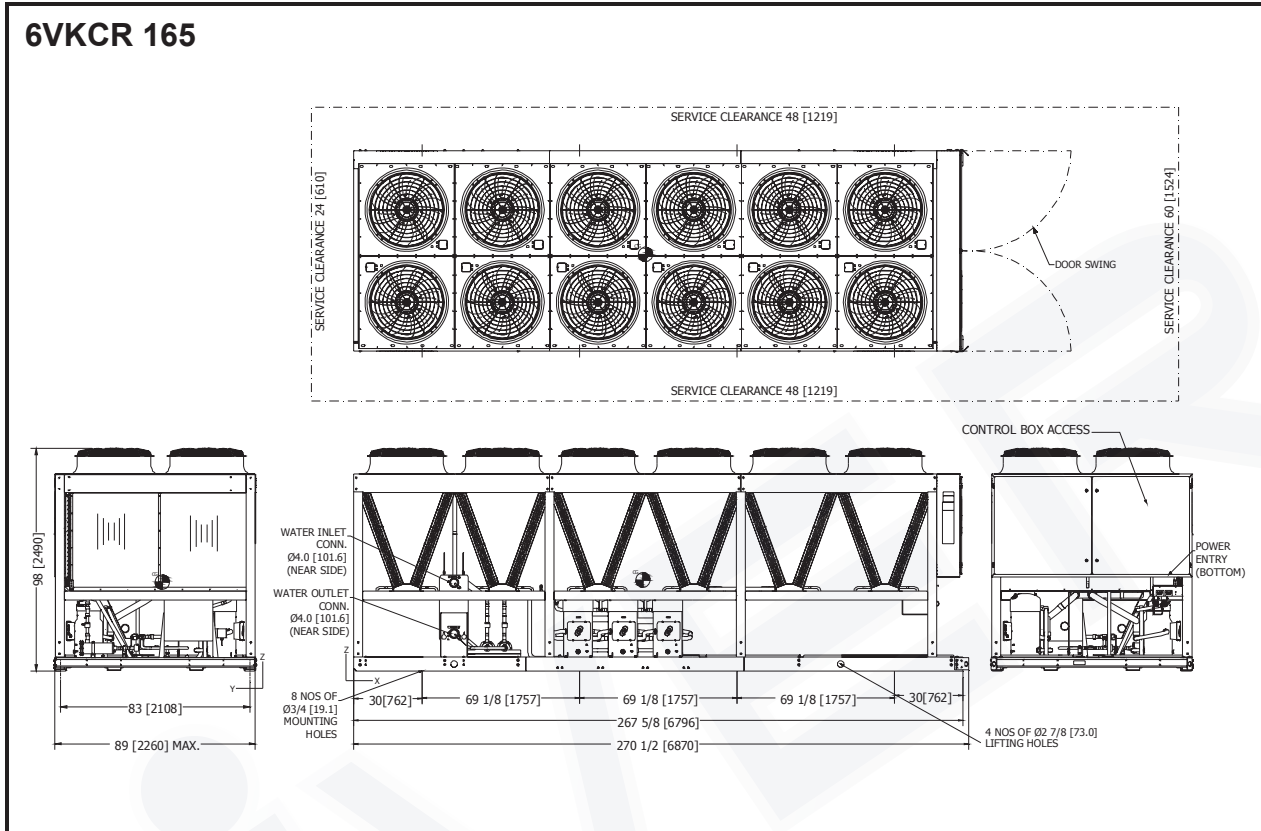
### 6VKCR 135, 150



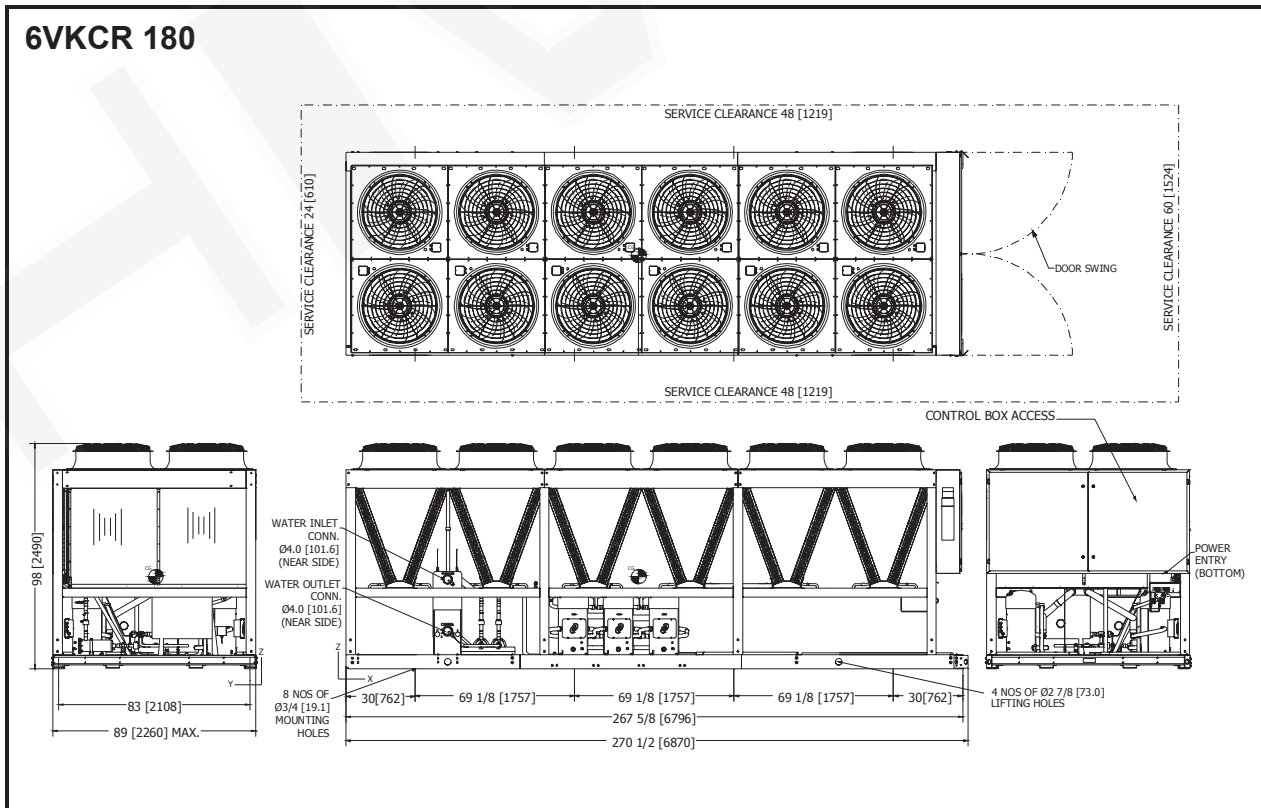
Note: All dimensions are in inches [mm].

60 Hz

## 6VKCR 165



## 6VKCR 180



Note: All dimensions are in inches [mm].