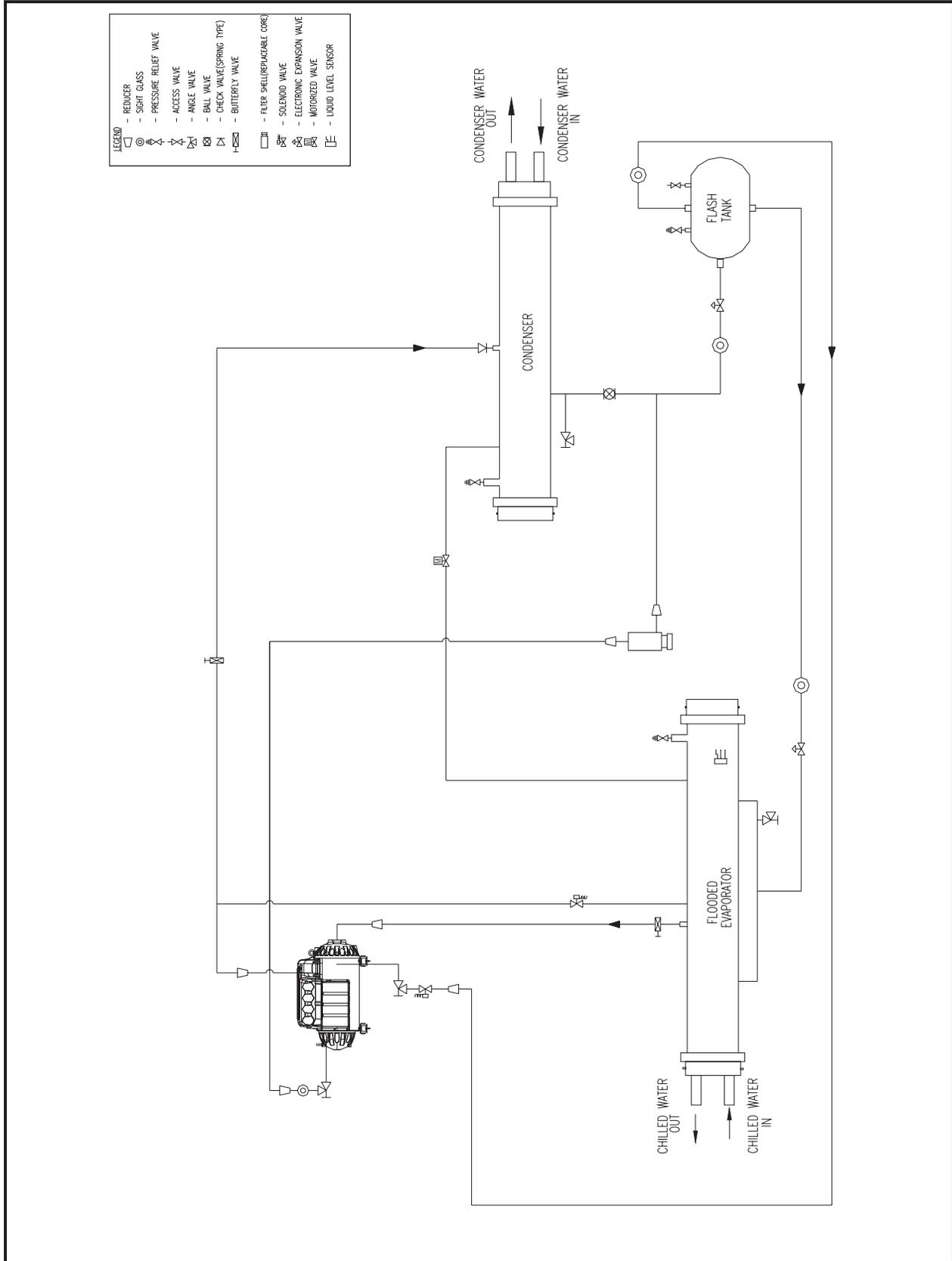


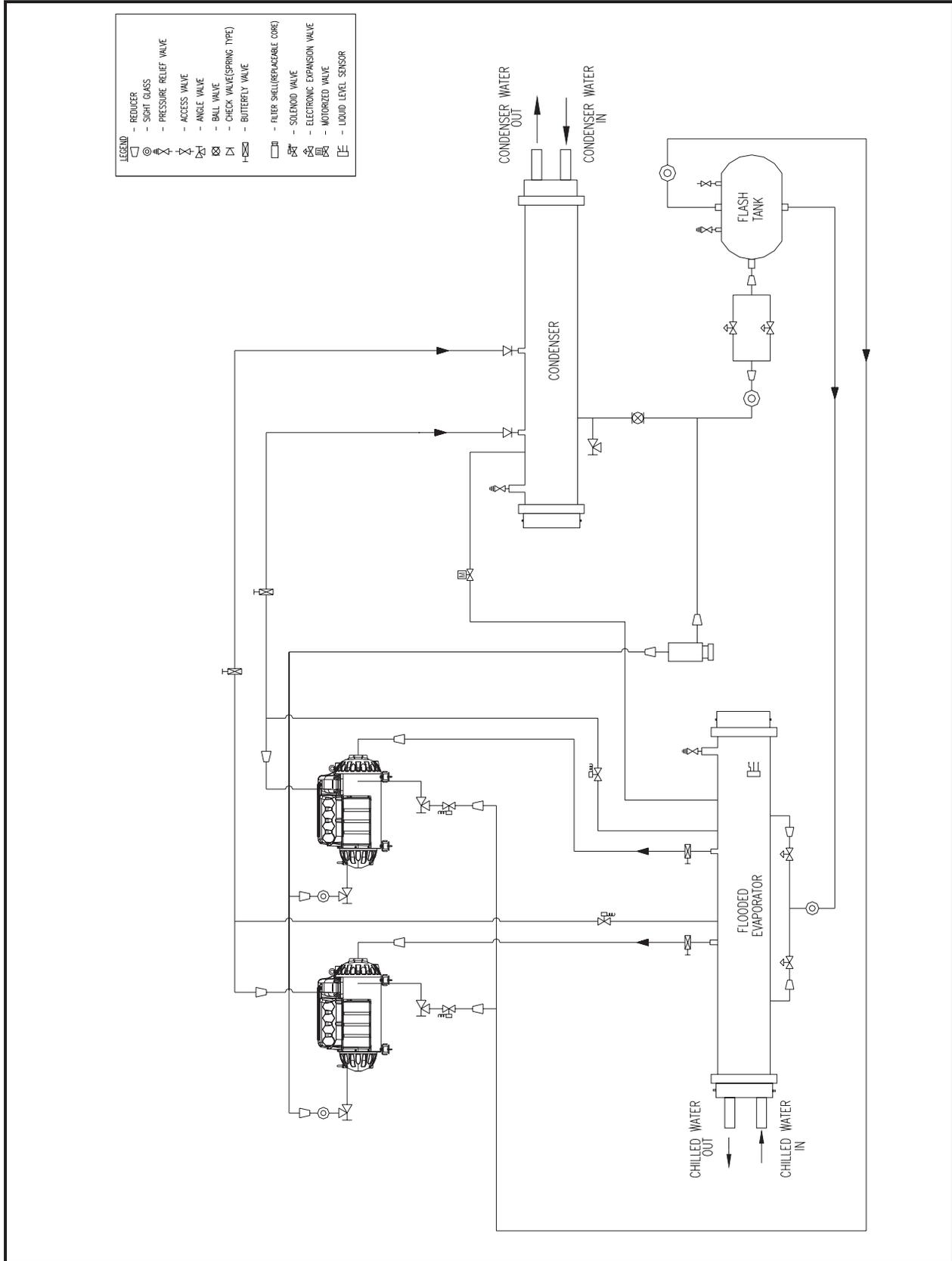
# TYPICAL PIPING DIAGRAM

## 1 COMPRESSOR UNIT



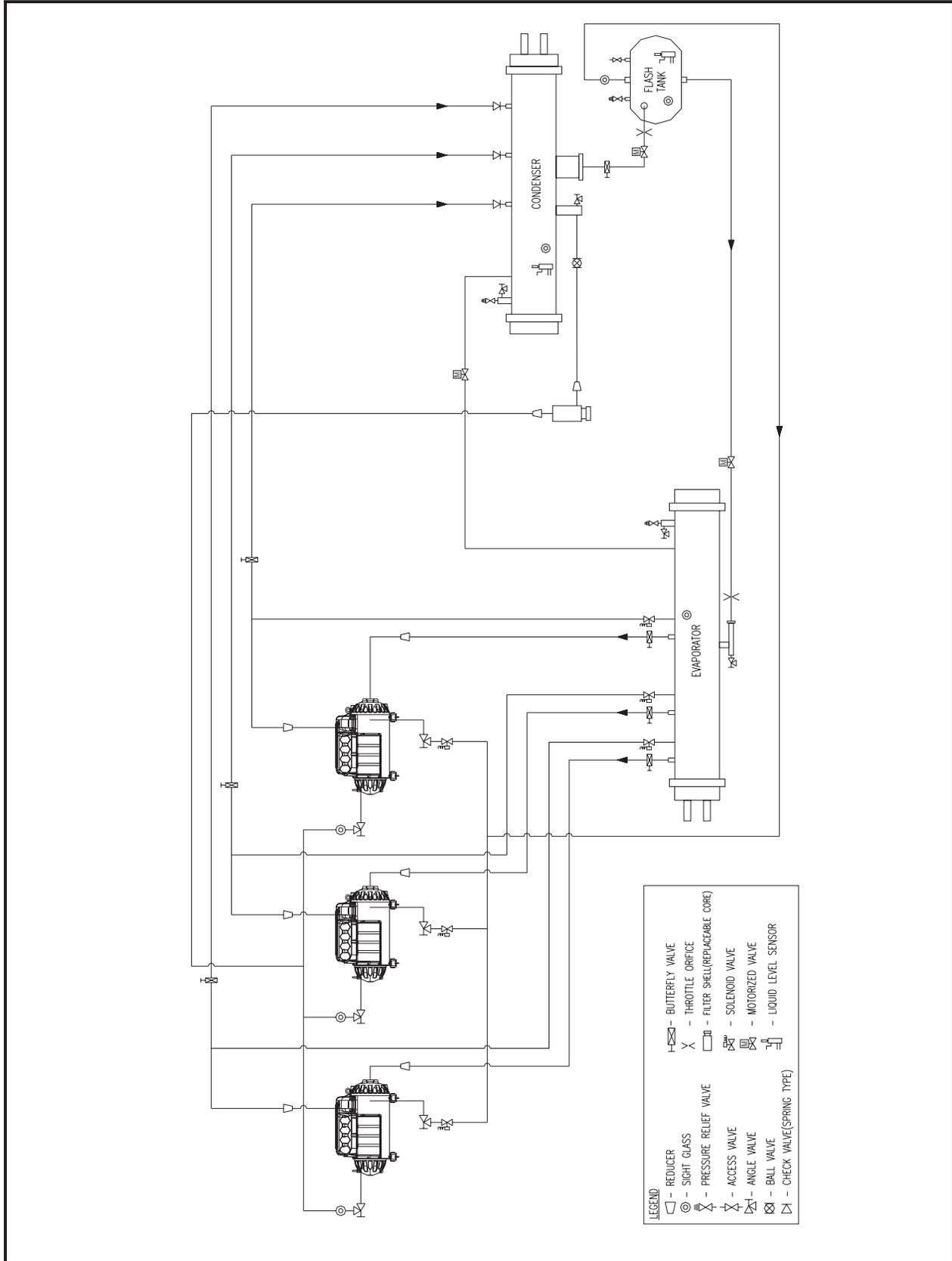
# TYPICAL PIPING DIAGRAM

## 2 COMPRESSORS UNIT



# TYPICAL PIPING DIAGRAM

## 3 COMPRESSORS UNIT



| LEGEND |                                   |
|--------|-----------------------------------|
|        | - REDUCER                         |
|        | - SIGHT GLASS                     |
|        | - PRESSURE RELIEF VALVE           |
|        | - ACCESS VALVE                    |
|        | - ANGLE VALVE                     |
|        | - BALL VALVE                      |
|        | - CHECK VALVE (SPRING TYPE)       |
|        | - BUTTERFLY VALVE                 |
|        | - THROTTLE ORIFICE                |
|        | - FILTER SHELL (REPLACEABLE CORE) |
|        | - SOLENOID VALVE                  |
|        | - MOTORIZED VALVE                 |
|        | - LIQUID LEVEL SENSOR             |

# TYPICAL PIPING DIAGRAM

## 4 COMPRESSORS UNIT

