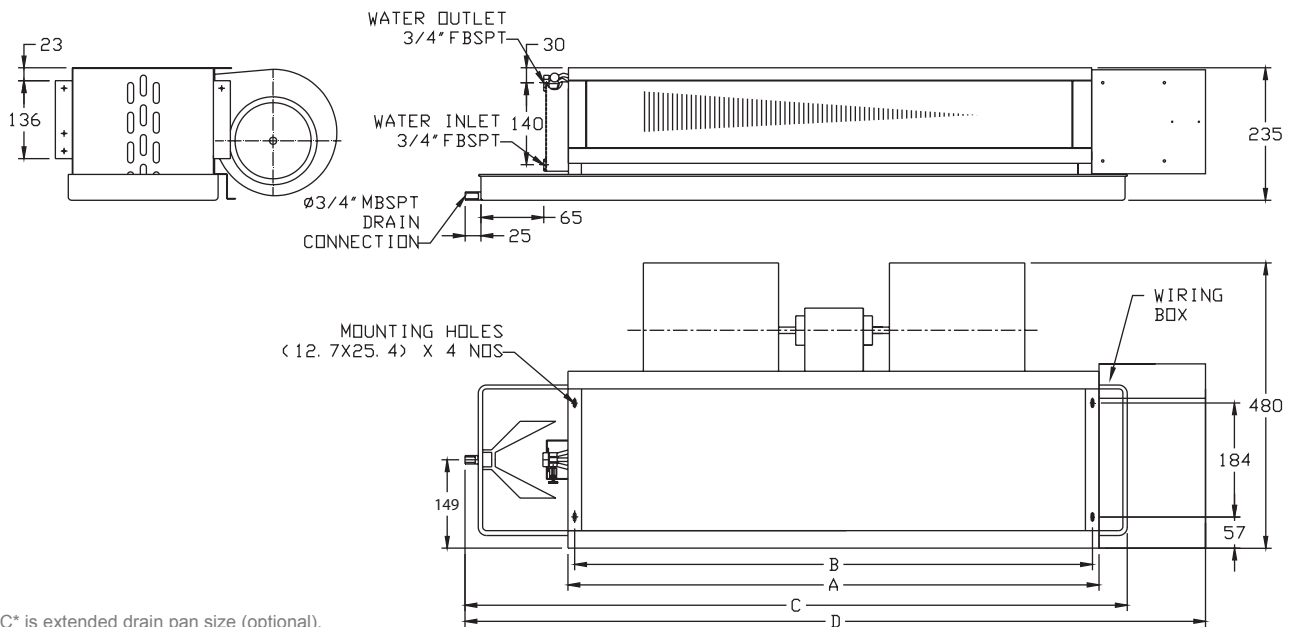


DIMENSIONAL DATA



OD.KQ-KC/GC/GCR/GCY

Model	A	B	C	C*	D	Air Outlet	
KC GC GCR GCY	02	560	530	755	955	944	560x136
	03	640	610	835	1035	1024	640x136
	04	740	710	935	1135	1124	740x136
	05	840	810	1035	1235	1224	840x136
	06	950	920	1145	1345	1334	950x136
	07	1076	1046	1270	1470	1459	1076x136
	08	1280	1250	1475	1675	1664	1280x136
	10	1330	1300	1525	1725	1714	1330x136
	12	1635	1605	1830	2030	2019	1635x136
14	1838	1808	2035	2235	2224	1838x136	



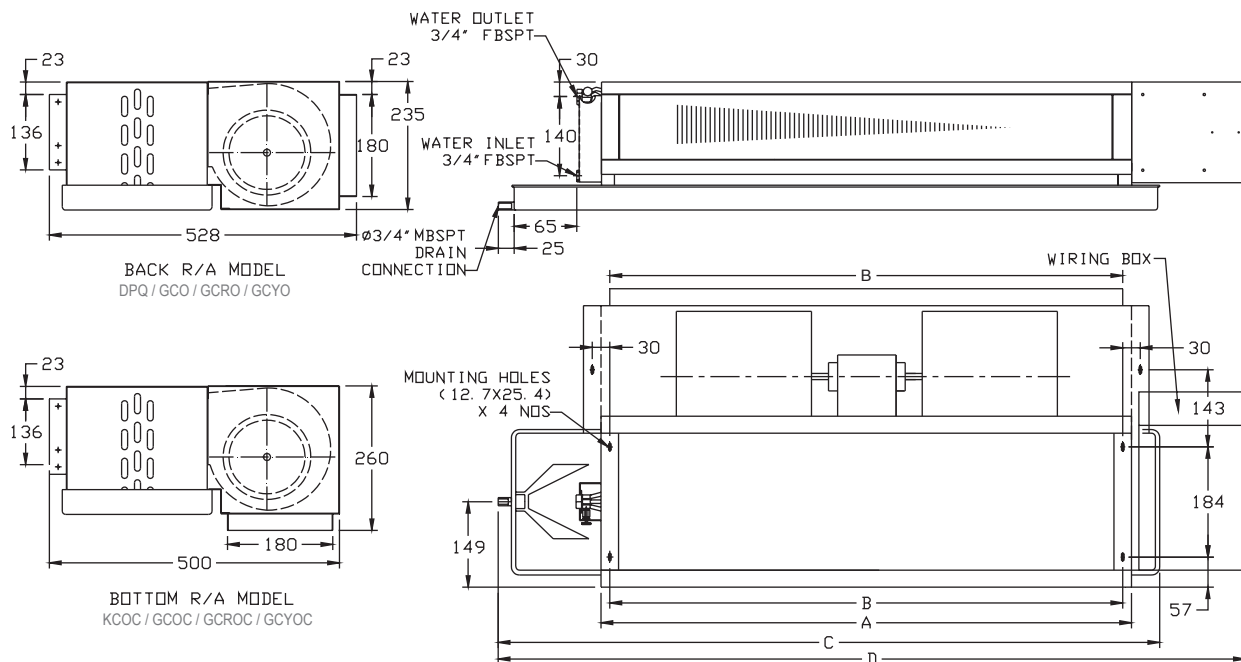
C* is extended drain pan size (optional).

DIMENSIONAL DATA



OD.KQ-KCO/KCOC/GCO/GCOC/GCRO/GCROC/GCYO/GCYOC

Model	A	B	C	C*	D	Air Outlet	Air Inlet	
KCO	02	560	530	755	955	944	560x136	530x180
	03	640	610	835	1035	1024	640x136	610x180
KCOC	04	740	710	935	1135	1124	740x136	710x180
GCO	05	840	810	1035	1235	1224	840x136	810x180
GCOC	06	950	920	1145	1345	1334	950x136	920x180
GCRO	07	1076	1046	1270	1470	1459	1076x136	1046x180
GCROC	08	1280	1250	1475	1675	1664	1280x136	1250x180
GCYO	10	1330	1300	1525	1725	1714	1330x136	1300x180
GCYOC	12	1635	1605	1830	2030	2019	1635x136	1605x180
	14	1838	1808	2035	2235	2224	1838x136	1808x180



C* is extended drain pan size (optional).

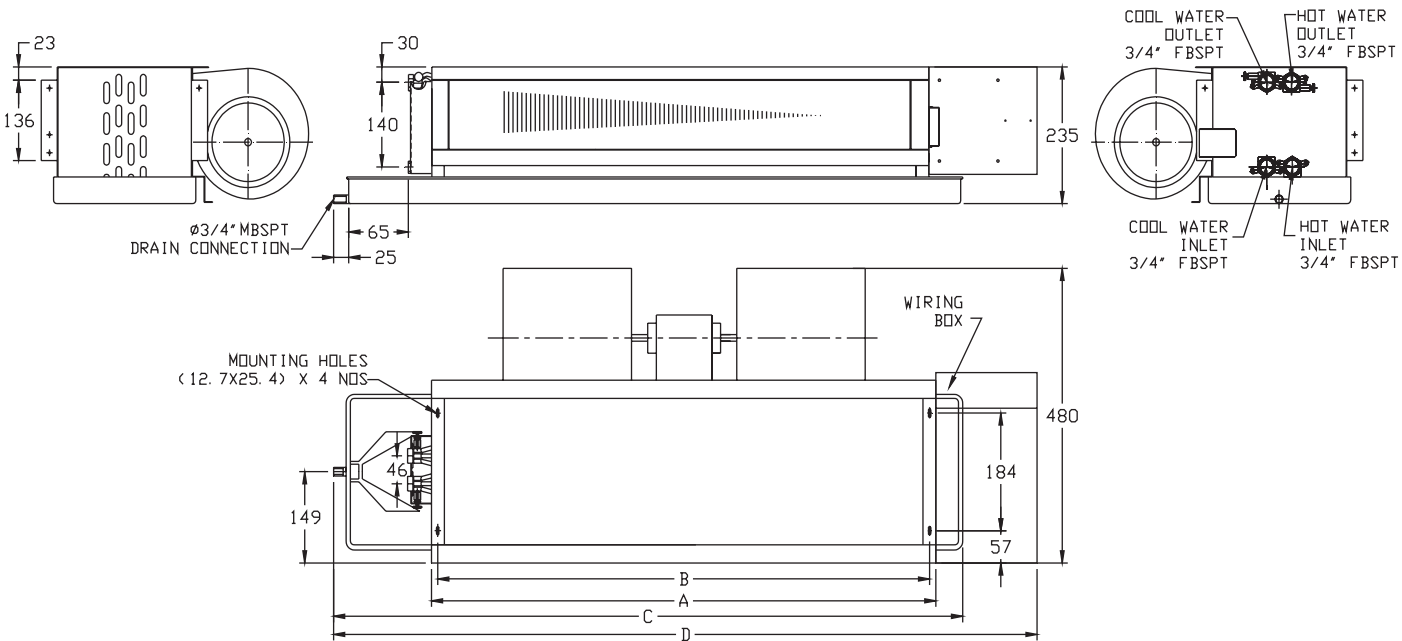
Note: All dimensions are in mm.



DIMENSIONAL DATA

OD.KQ-KC/GC/GCR/GCY- 4 Rows

Model	A	B	C	C*	D	Air Outlet	
KC GC GCY GCR	02	560	530	755	955	944	560x136
	03	640	610	835	1035	1024	640x136
	04	740	710	935	1135	1124	740x136
	05	840	810	1035	1235	1224	840x136
	06	950	920	1145	1345	1334	950x136
	07	1076	1046	1270	1470	1459	1076x136
	08	1280	1250	1475	1675	1664	1280x136
	10	1330	1300	1525	1725	1714	1330x136
	12	1635	1605	1830	2030	2019	1635x136
14	1838	1808	2035	2235	2224	1838x136	



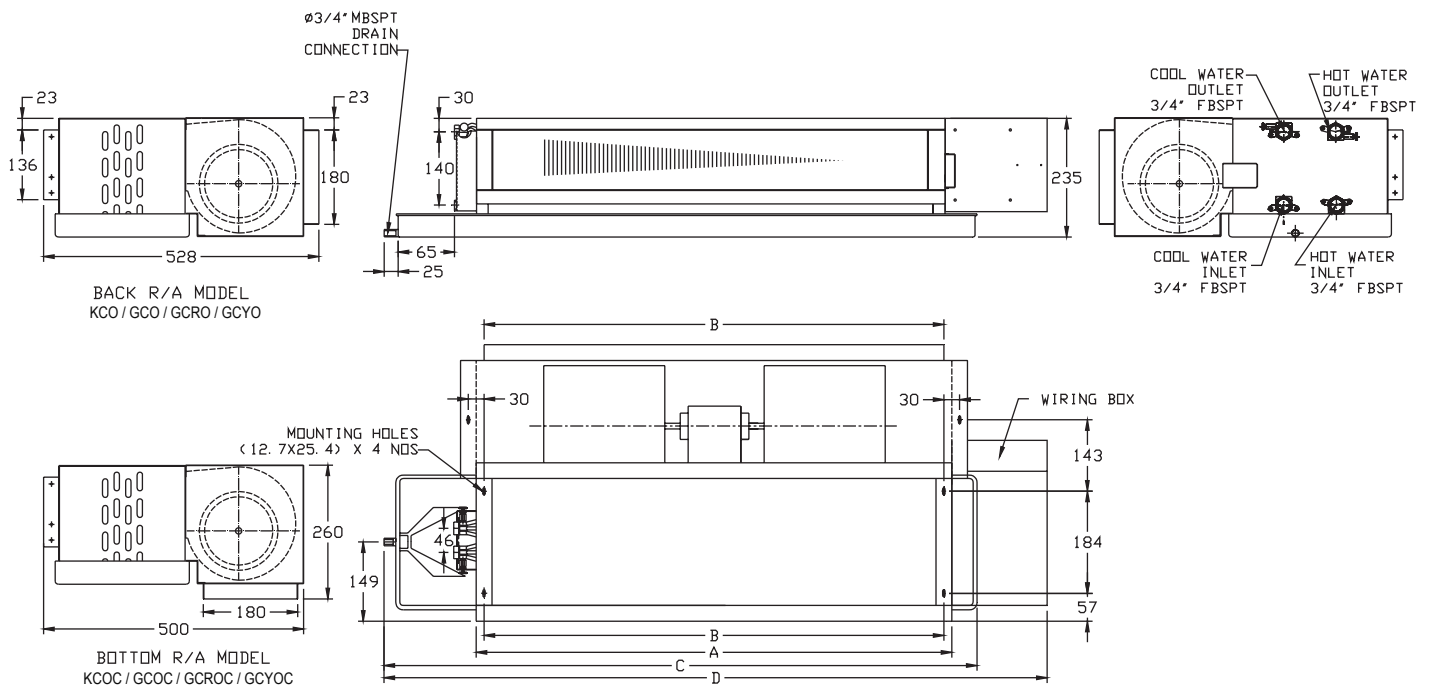
C* is extended drain pan size (optional).

DIMENSIONAL DATA



OD.KQ-KCO/KCOC/GCO/GCOC/GCRO/GCROC/GCYO/GCYOC- 4 Rows

Model	A	B	C	C*	D	Air Outlet	Air Inlet	
KCO	02	560	530	755	955	944	560x136	530x180
	03	640	610	835	1035	1024	640x136	610x180
KCOC	04	740	710	935	1135	1124	740x136	710x180
GCO	05	840	810	1035	1235	1224	840x136	810x180
GCOC	06	950	920	1145	1345	1334	950x136	920x180
GCRO	07	1076	1046	1270	1470	1459	1076x136	1046x180
GCROC	08	1280	1250	1475	1675	1664	1280x136	1250x180
GCYO	10	1330	1300	1525	1725	1714	1330x136	1300x180
GCYOC	12	1635	1605	1830	2030	2019	1635x136	1605x180
	14	1838	1808	2035	2235	2224	1838x136	1808x180



C* is extended drain pan size (optional).

Note: All dimensions are in mm.